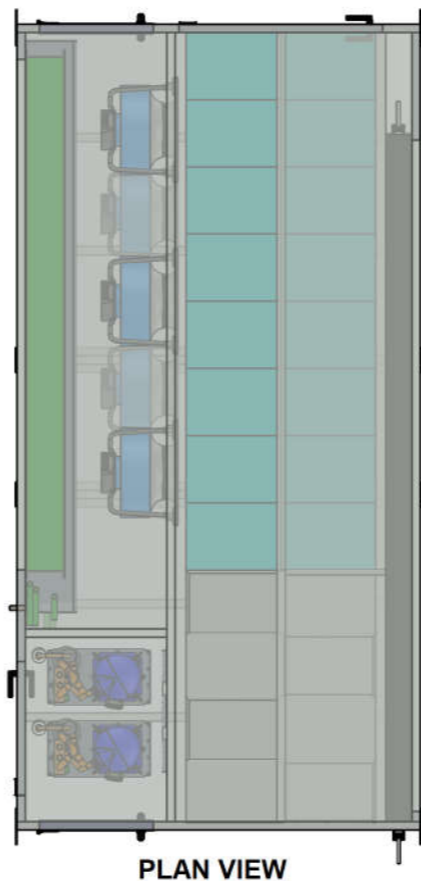
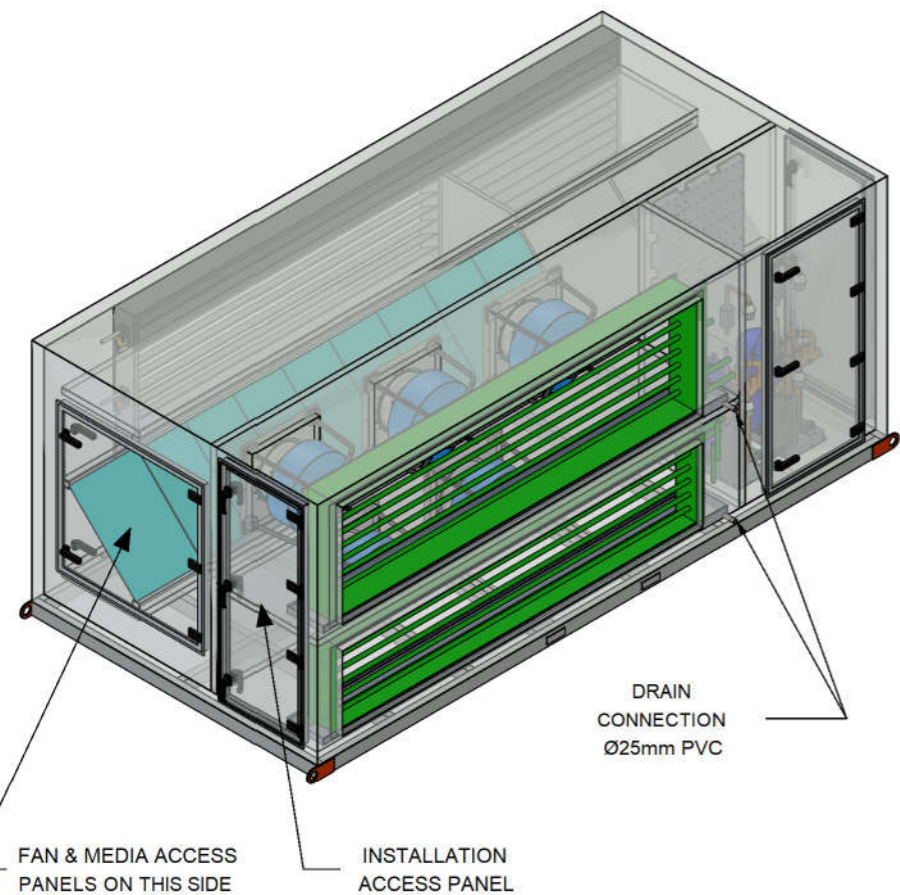
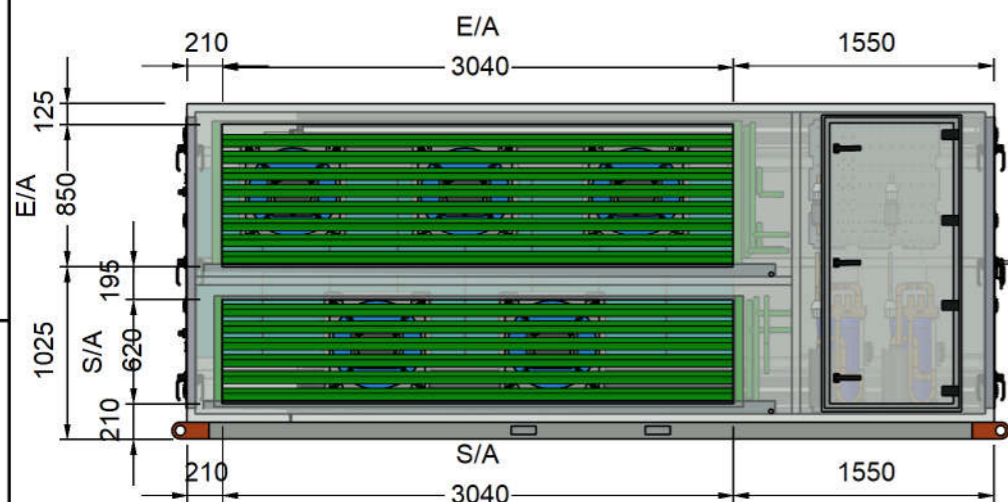
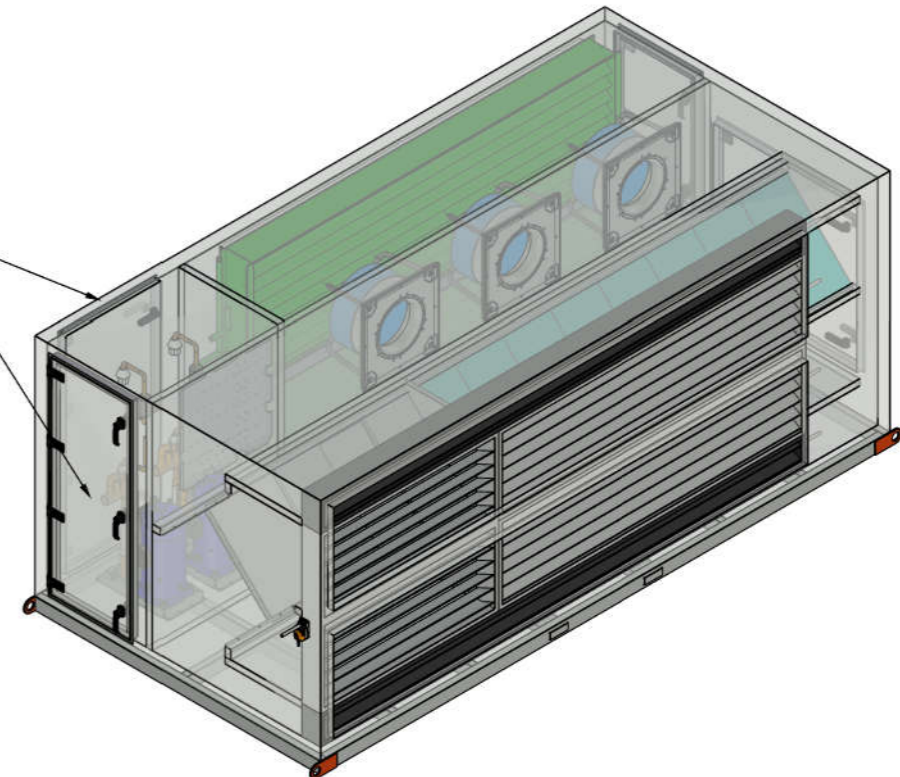


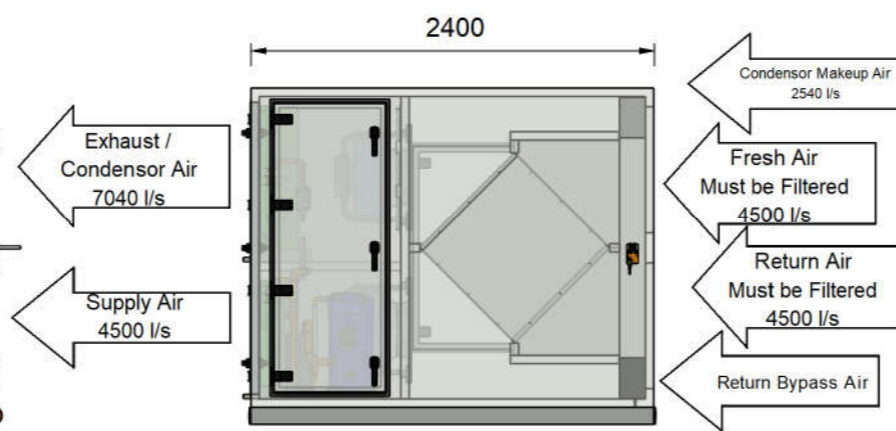
© Copyright: No part of this drawing or design shall be reproduced without authority or consent from Company. All references herein are deemed confidential



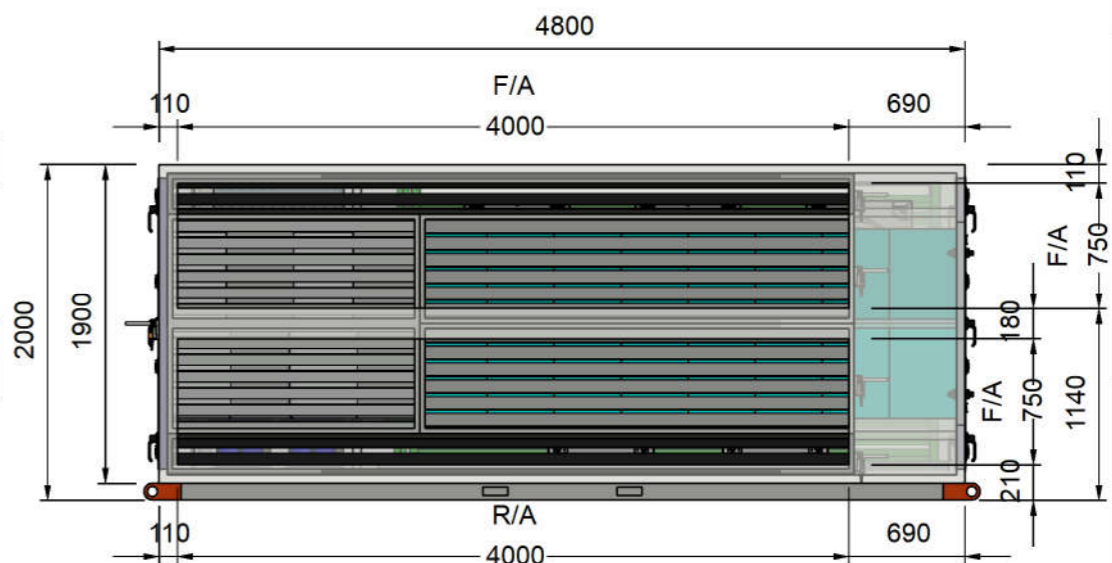
COMPRESSOR ACCESS PANELS ON THIS SIDE



EA & SA SPIGOT VIEW



ELEVATION VIEW - COMPRESSOR ACCESS PANEL SIDE



FA & RA SPIGOT VIEW

- Notes:**
- All Panels are 50mm Colorbond Panel Casing
  - Minimum 1200mm Clearance Required from Access Panel

If this drawing meets your requirement in both design and performance please sign and email to Armcor Air Solutions

Approved \_\_\_\_\_

Date \_\_\_\_\_

E	A3	General Tolerances acc to : ISO 2768-1 medium	STANDARD DRAWING		
	Scale		Drawn NT	Checked In Design	Dat. 29/11/2022 10:30 AM
			Title <b>XEP4500P3-E</b>		Sheet 1 of 2
					Rev. A
			S/N.		