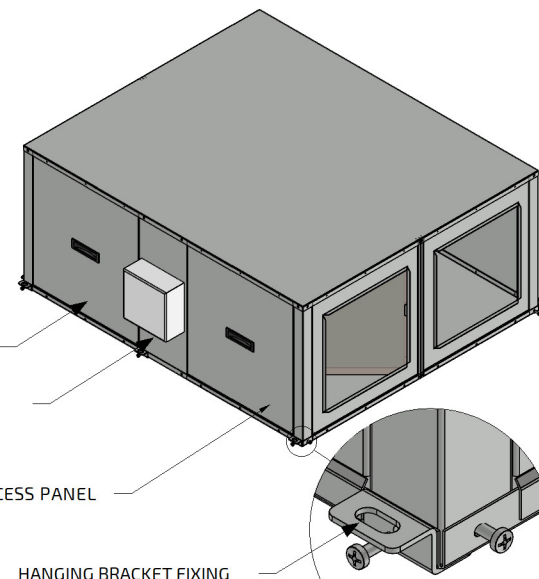


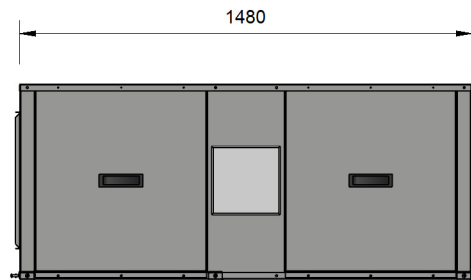
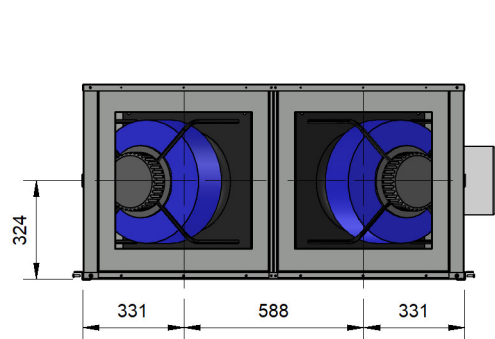
INTERCHANGEABLE DUCT & ACCESS PANELS (ALL SIDES)

PLAN VIEW

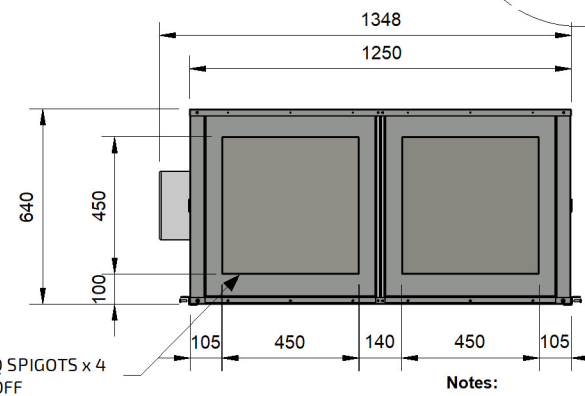


FILTER ACCESS PANEL

HANGING BRACKET FIXING



ELEVATION - ELECTRICAL BOX SIDE



Notes:
- All Panels are 1.2mm Gal

If this drawing meets your requirement in both design and performance please sign and email to Armcor Air Solutions

Approved _____

Date _____

E 	A3	General Tolerances acc to :	STANDARD DRAWING		
	Scale		Drawn P.Z	Checked In Process	Dat. 4/06/2021 10:16 AM
		Title CEILING MOUNT ERV		Sheet 1 of 3	Rev. A
		XCM925P3		S/N.	