

INTERCHANGEABLE DUCT & ACCESS PANELS (ALL SIDES)

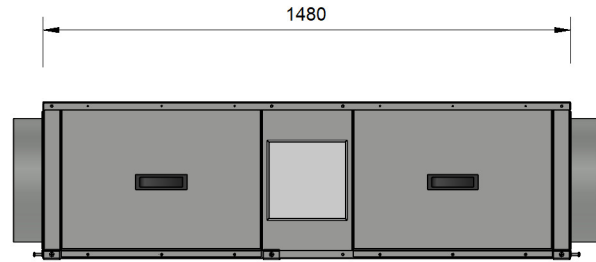
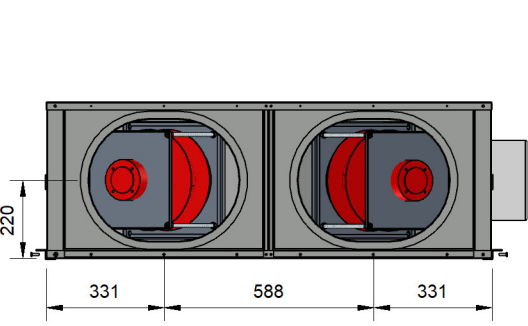
PLAN VIEW

FAN ACCESS PANEL

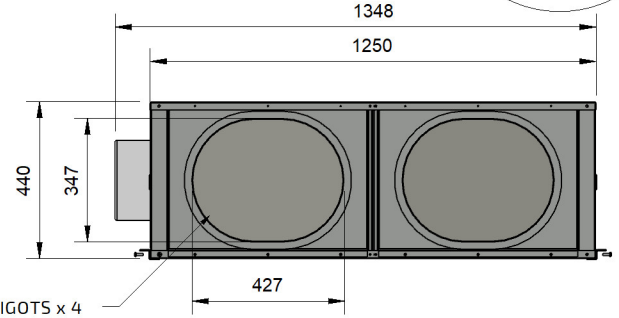
ELECTRICAL BOX

FILTER ACCESS PANEL

HANGING BRACKET FIXING



ELEVATION - ELECTRICAL BOX SIDE



Ø400 OVAL SPIGOTS x 4

Notes:  
- All Panels are 1.2mm Gal

If this drawing meets your requirement in both design and performance please sign and email to Armcor Air Solutions

Approved \_\_\_\_\_

Date \_\_\_\_\_

|       |       |                             |                  |                       |                            |
|-------|-------|-----------------------------|------------------|-----------------------|----------------------------|
| E<br> | A3    | General Tolerances acc to : | STANDARD DRAWING |                       |                            |
|       | Scale |                             | Drawn<br>P.Z     | Checked<br>In Process | Dat. 21/04/2021<br>4:24 PM |
|       |       | Title<br>CEILING MOUNT ERV  |                  | Sheet 1 of 3          | Rev. A                     |
|       |       | XCM625P1                    |                  | S/N.                  |                            |