

AIR HANDLING UNIT

WITH CHILLED/HOT WATER COILS



AHU5000P3 TECHNICAL DATA

TECHNICAL SPECIFICATIONS	
NOMINAL AIRFLOW	
Supply Air (l/sec)	5000
SUPPLY FAN	
Fan Type	EC Plug
Fan Motor	EC Motor
Motor Power (Watts)	2825
External Static (Pa)	250
Fan Diameter	500
Number of Fans	2
ELECTRICAL	
Supply Fan FLA (A)	8.6 - 8.6 - 8.6
Volt/Phase	415V/3ph
Switchboard	Yes
Circuit Breakers	Yes
CONTROLS	
0-10V DC (Fan Control)	Included
24V AC Enable	Included
Fan Fault Signal	Included
CABINET CONSTRUCTION	
Casing	50mm Panel
Insulation Value	R2.0
Side Access Panels	Included
FILTERS - Additional filter box to be ordered seperately if required	
Type	Deep Bed Filters F5
Size L x W x D (mm)	610 x 610 x 380
Number of Filters	6
Prefilters	Optional
CHILLED WATER COIL - if required (Nom. rating)	
Total Cooling Capacity (Kw)	96 - 110
Size FL x FH (mm)	2150 x 1050
Water In (°C)/ Water Out (°C)	7°/14°
Coil Coating	Epoxy
Face Velocity (m/sec)	2.2
Drain Tray	Stainless Steel
HOT WATER COIL - if required (Nom. rating)	
Total Heating Capacity (Kw)	96 - 110
Size FL x FH (mm)	2150 x 1050
Water In (°C)/ Water Out (°C)	80°/60°
Coil Coating	Epoxy
Face Velocity (m/sec)	2.2
DX COIL - if required (Nom. rating)	
Total Capacity (Kw)	96 - 110
Size FL x FH (mm)	2150 x 1050
Refrigerant	R407C / R410A
Face Velocity (m/sec)	2.2
OPTIONS	
Economy Cycle	Available
75mm Panel Casing	Available
Corrosion Resistant Lining	Available
Metu Duct Frames	Available
Fresh Air/Return Air Dampers	Available

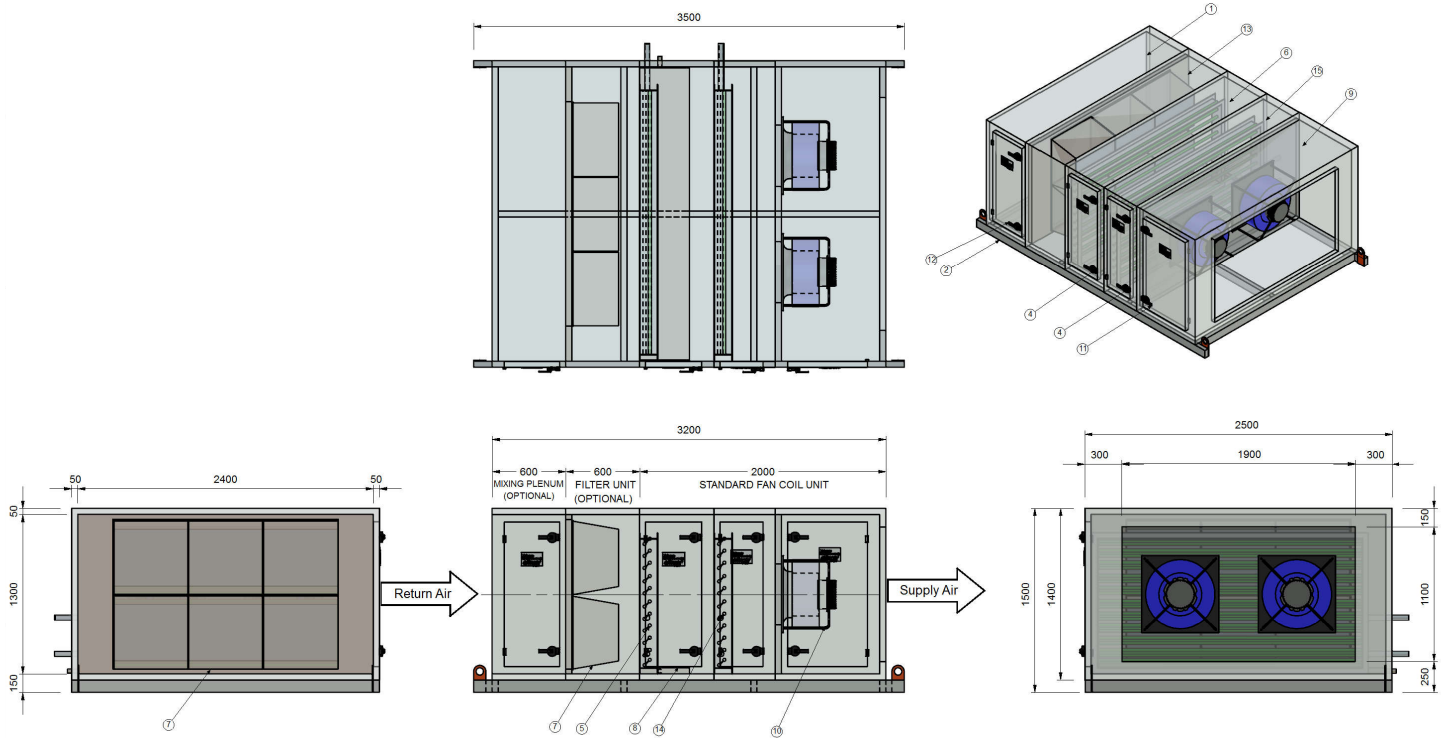
AIR HANDLING UNIT

WITH CHILLED/HOT WATER COILS

AHU5000P3 TECHNICAL DATA



TECHNICAL DRAWINGS



DIMENSIONS - STANDARD AHU	
Height (mm)	1500
Width (mm)	2500
Length (mm)	2000
Weight (Kg)	730
Access Clearance (mm)	1200 (Controls & Filter Access)
Access Clearance (mm)	300

DUCT SIZES	
Return Air (mm)	2400 x 1300
Supply Air (mm)	1900 x 1100

DIMENSIONS - AHU with Filters & Mixing Plenum	
Height (mm)	1500
Width (mm)	2500
Length (mm)	3200
Weight (Kg)	895
Access Clearance (mm)	1200 (Controls & Filter Access)
Access Clearance (mm)	300

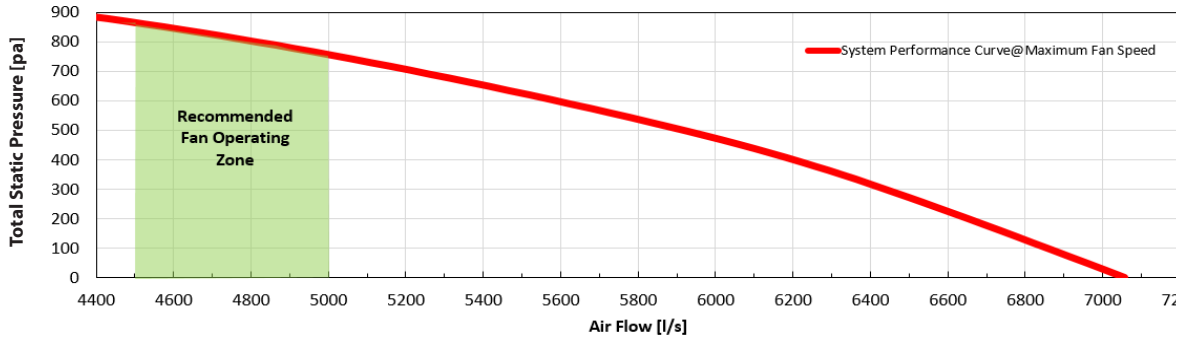
AIR HANDLING UNIT

WITH CHILLED/HOT WATER COILS



AHU5000P3 TECHNICAL DATA

FAN PERFORMANCE DATA

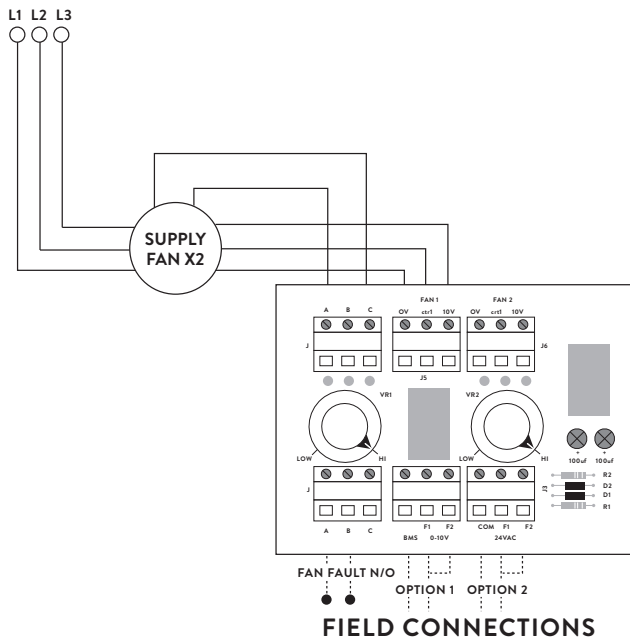


SOUND POWER LEVELS*

INLET RATING dB		OUTLET RATING dB	
63 Hz	69.4	63 Hz	72
125 Hz	69.9	125 Hz	73.1
250 Hz	81	250 Hz	80.2
500 Hz	76.2	500 Hz	81.6
1K Hz	74.2	1K Hz	83.1
2K Hz	74.6	2K Hz	80.1
4K Hz	72	4K Hz	76.6
8K Hz	70.5	8K Hz	73.3
LwA	81.1	LwA	87

* Sound Power Levels @ 650 Pa Total Static Pressure and 5000 l/s Total Air Volume.

WIRING DIAGRAM



OPTION 1

0-10V DC CONTROL VIA CONNECTION TO BMS

OPTION 2

24V AC ENABLE REGULATE FAN SPEED VIA POTS

Do not turn main power on/off to enable/disable the unit operation. This must be done through the control circuit.

Designed and manufactured in Australia

Armcor Air Solutions

109-111 Northcorp Blvd, Broadmeadows 3047

P 1800 244 556 E sales@armcor.com.au

www.armcor.com.au

