

# AIR HANDLING UNIT

## WITH CHILLED/HOT WATER COILS



# AHU18000P3 TECHNICAL DATA

### TECHNICAL SPECIFICATIONS

#### NOMINAL AIRFLOW

Supply Air (l/sec)	18000
--------------------	-------

#### SUPPLY FAN

Fan Type	EC Plug
Fan Motor	EC Motor
Motor Power (Watts)	4700
External Static (Pa)	250
Fan Diameter	500
Number of Fans	5

#### ELECTRICAL

Supply Fan FLA (A)	36.5 - 36.5 - 36.5
Volt/Phase	415V/3ph
Switchboard	Yes
Circuit Breakers	Yes

#### CONTROLS

0-10V DC (Fan Control)	Included
24V AC Enable	Included
Fan Fault Signal	Included

#### CABINET CONSTRUCTION

Casing	50mm Panel
Insulation Value	R2.0
Side Access Panels	Included

#### FILTERS - Additional filter box to be ordered seperately if required

Type	Deep Bed Filters F5
Size L x W x D (mm)	610 x 610 x 380
Number of Filters	16
Size L x W x D (mm)	610 x 305 x 380
Number of Filters	8
Prefilters	Optional

#### CHILLED WATER COIL - if required (Nom. rating)

Total Cooling Capacity (Kw)	375 - 395
Size FL x FH (mm)	5200 x 1550
Water In (°C)/ Water Out (°C)	7°/14°
Coil Coating	Epoxy
Face Velocity (m/sec)	2.2
Drain Tray	Stainless Steel

#### HOT WATER COIL - if required (Nom. rating)

Total Heating Capacity (Kw)	375 - 395
Size FL x FH (mm)	5200 x 1550
Water In (°C)/ Water Out (°C)	80°/60°
Coil Coating	Epoxy
Face Velocity (m/sec)	2.2

#### DX COIL - if required (Nom. rating)

Total Capacity (Kw)	375 - 395
Size FL x FH (mm)	5200 x 1550
Refrigerant	R407C / R410A
Face Velocity (m/sec)	2.2

#### OPTIONS

Economy Cycle	Available
75mm Panel Casing	Available
Corrosion Resistant Lining	Available
Metu Duct Frames	Available
Fresh Air/Return Air Dampers	Available

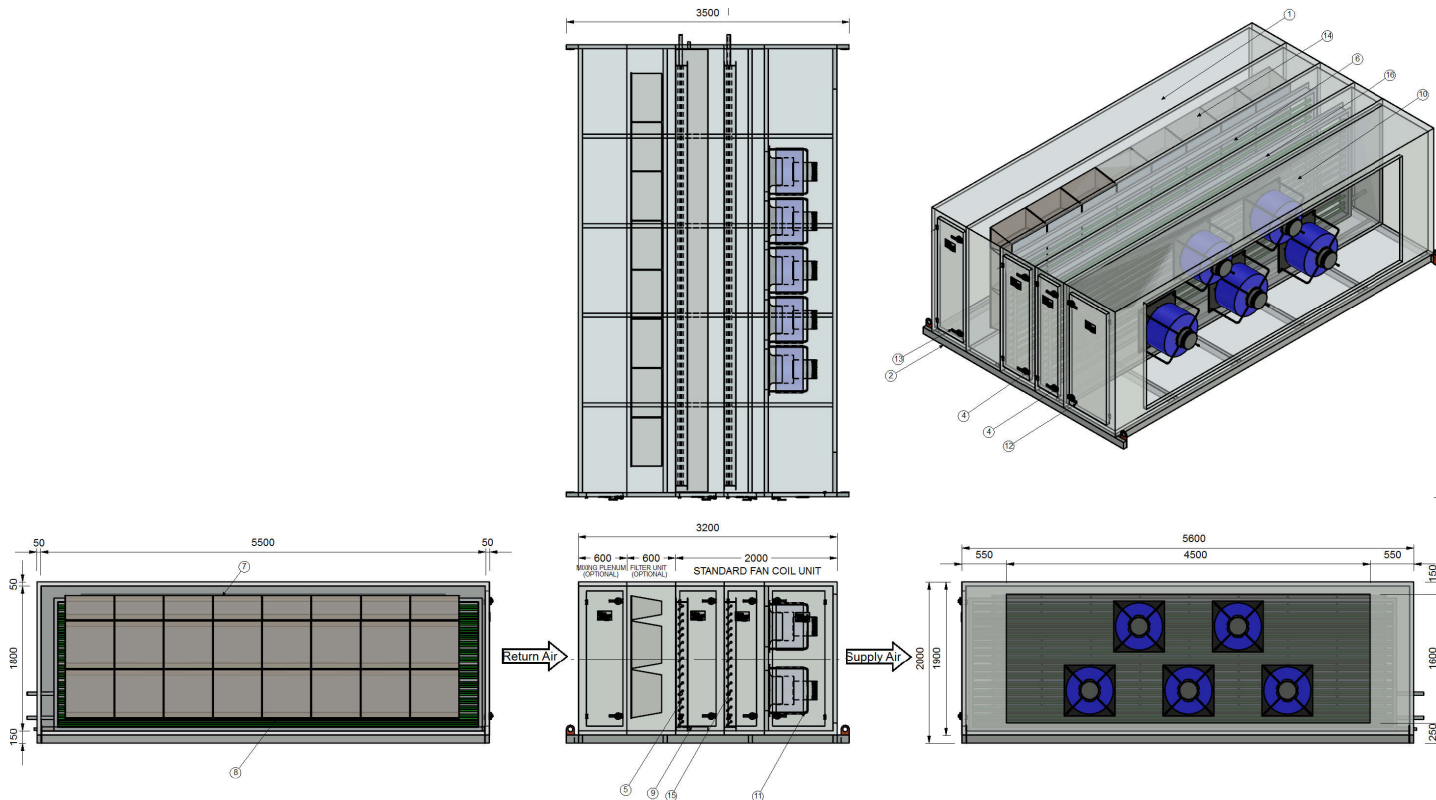
# AIR HANDLING UNIT

## WITH CHILLED/HOT WATER COILS

# AHU18000P3 TECHNICAL DATA



### TECHNICAL DRAWINGS



#### DIMENSIONS - STANDARD AHU

Height (mm)	2000
Width (mm)	5600
Length (mm)	2000
Weight (Kg)	1580
Access Clearance (mm)	1200 (Controls & Filter Access)
Access Clearance (mm)	300

#### DUCT SIZES

Return Air (mm)	5500 x 1800
Supply Air (mm)	4500 x 1600

#### DIMENSIONS - AHU with Filters & Mixing Plenum

Height (mm)	2000
Width (mm)	5600
Length (mm)	3200
Weight (Kg)	1970
Access Clearance (mm)	1200 (Controls & Filter Access)
Access Clearance (mm)	300

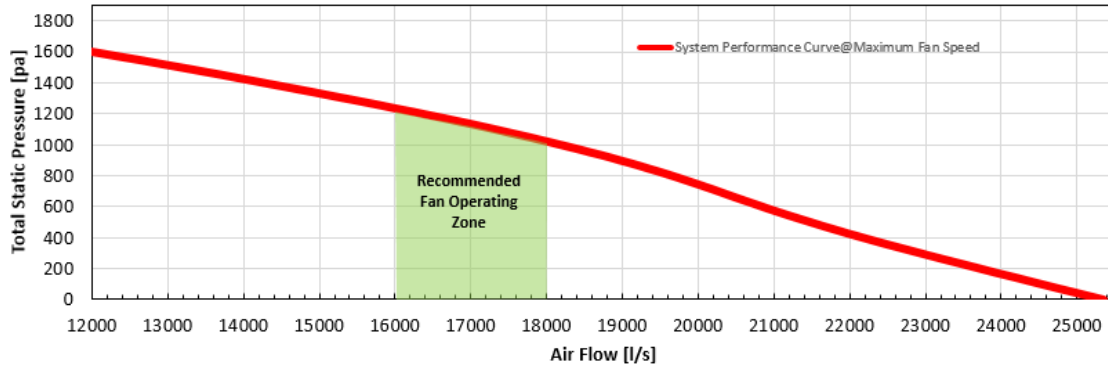
# AIR HANDLING UNIT

WITH CHILLED/HOT WATER COILS



## AHU18000P3 TECHNICAL DATA

### FAN PERFORMANCE DATA

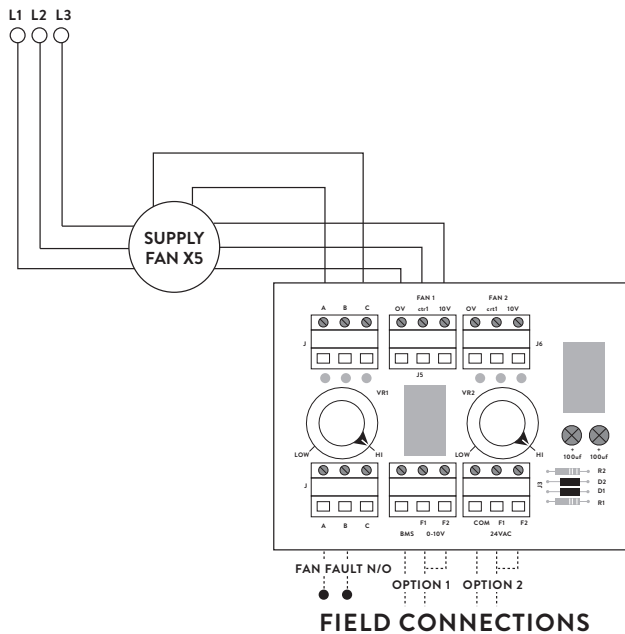


### SOUND POWER LEVELS\*

INLET RATING dB		OUTLET RATING dB	
63 Hz	68.5	63 Hz	73.8
125 Hz	79.9	125 Hz	83.5
250 Hz	82	250 Hz	82
500 Hz	77.1	500 Hz	83.7
1K Hz	78.6	1K Hz	88.6
2K Hz	78.7	2K Hz	83.7
4K Hz	91.3	4K Hz	91.5
8K Hz	77.9	8K Hz	80.8
LwA	92.9	LwA	94.9

\* Sound Power Levels @ 650 Pa Total Static Pressure and 18000 l/s Total Air Volume.

### WIRING DIAGRAM



#### OPTION 1

0-10V DC CONTROL VIA CONNECTION TO BMS

#### OPTION 2

24V AC ENABLE REGULATE FAN SPEED VIA POTS

Do not turn main power on/off to enable/disable the unit operation. This must be done through the control circuit.

Designed and manufactured in Australia

#### Armcor Air Solutions

109-111 Northcorp Blvd, Broadmeadows 3047

P 1800 244 556 E sales@armcor.com.au

www.armcor.com.au

