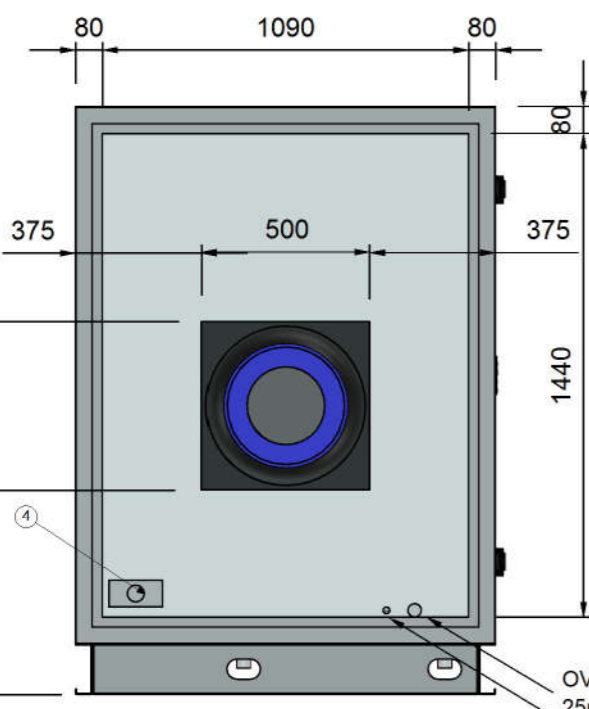
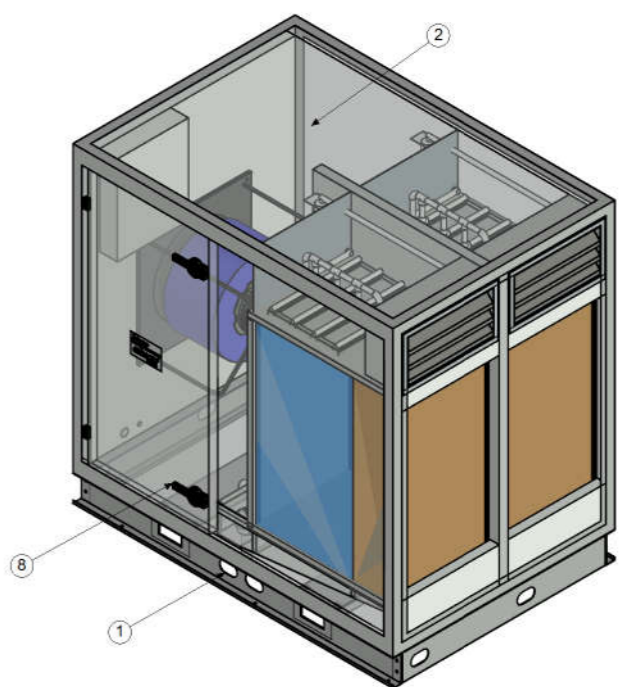
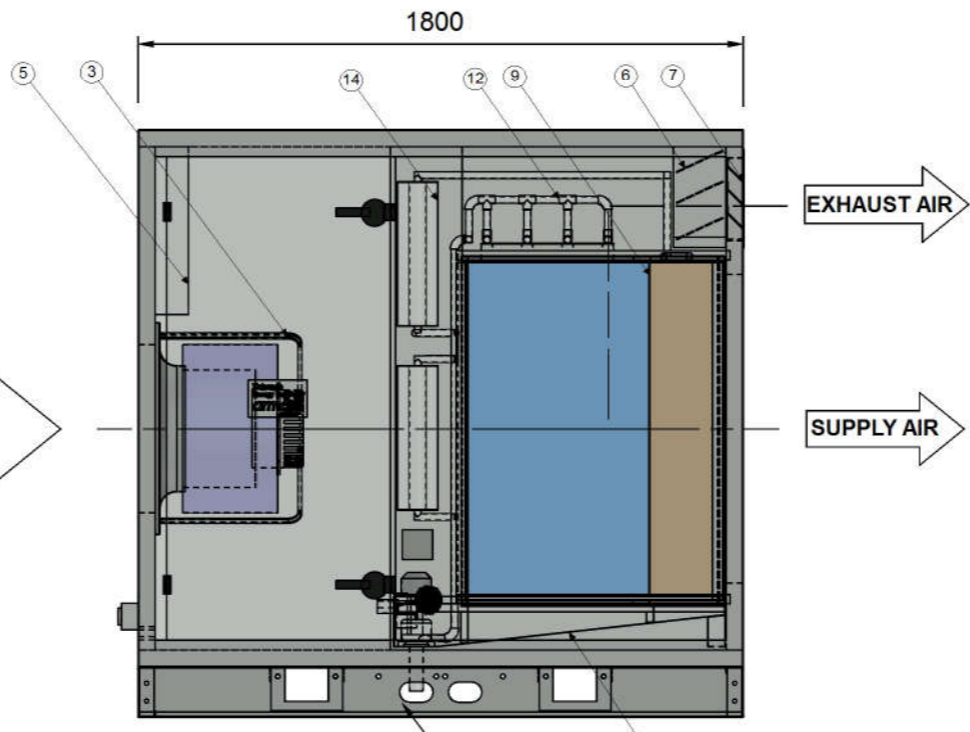


PLAN VIEW

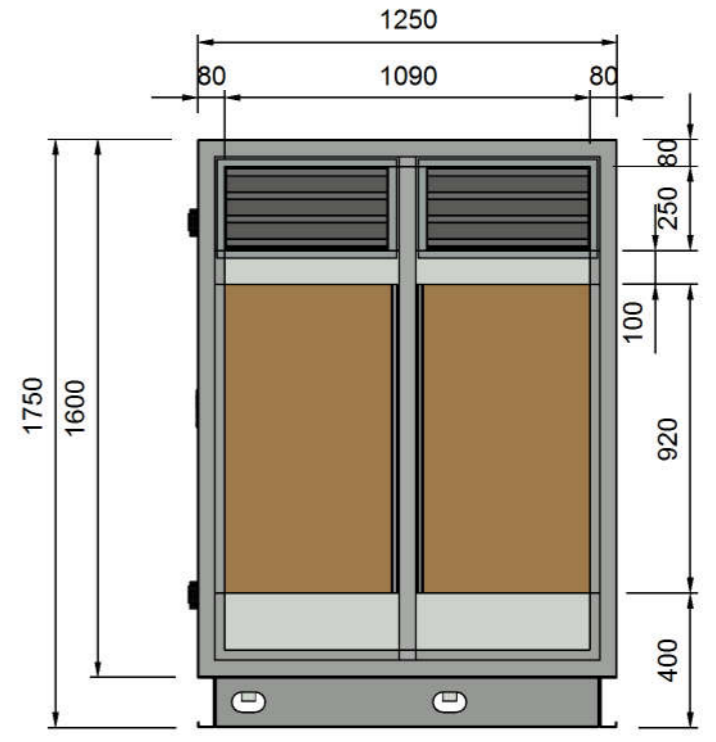


F / A SPIGOT

OVERFLOW POINT
25mm PVC
WATER INLET



ELEVATION



S / A SPIGOT

Item	Description	Qty
1	Base Frame	2
2	Cabinet	1
3	ECF (K)3D500-PLHDAL4	1
4	Electrical Isolator	1
5	Electrical Panel 400x500	1
6	Exhaust Air Damper 490x260 (Manual)	2
7	Exhaust Air Louvre Grille	2
8	Fan Access Panel 1440x680 (Pre-fabricated)	1
9	IDEC Exchanger Module 542mm Wide	2
10	Overflow Valve	2
11	Sump Dump	2
12	Water Dispenser Pipework	2
13	Water Fill Valve	2
14	Water Filter	4
15	Water Pump	2
16	Water Tank S/S	2

ENG NOTES:
 - All Panels are 50mm Colorbond Panel Casing
 - Minimum 1200mm Clearance Required from Access Panel
 - Intake Air Must be Filtered

	Scale	General Tolerances acc to :	Project.	
	A3	ISO 2768-1 medium	Drawn. P.Z	Status.
Armcor Air Solutions 109-111 Northcorp Blvd Broadmeadows VIC 3047 Phone 03 8301 9200 Web: www.armcor.com.au Email: sales@armcor.com.au			STANDARD DRAWING Date: 30/10/2017 4:00 PM	
			Title. INDIRECT COOLING UNIT	
			Model. INDEC 2000P3	
			Sheet 1 of 15	Rev. A
			SN.	