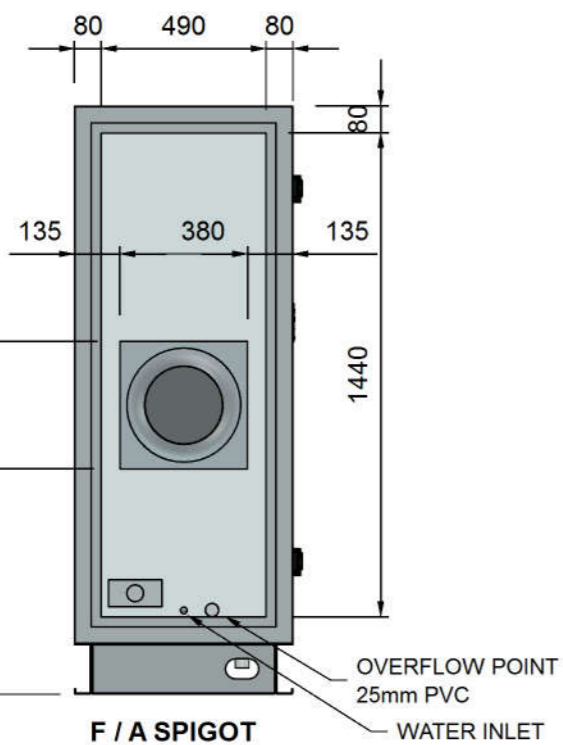
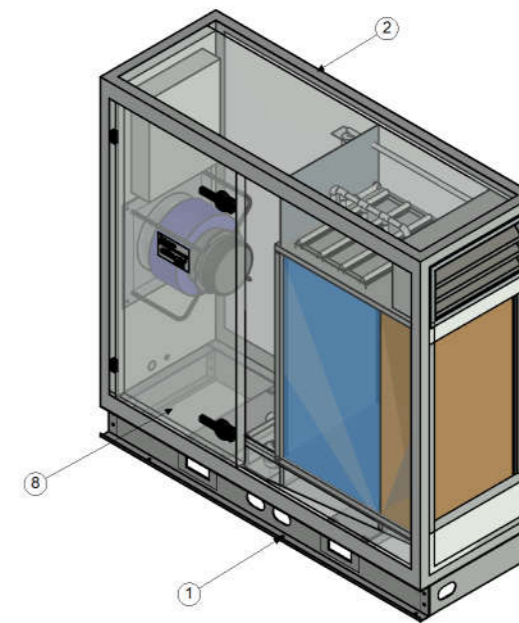
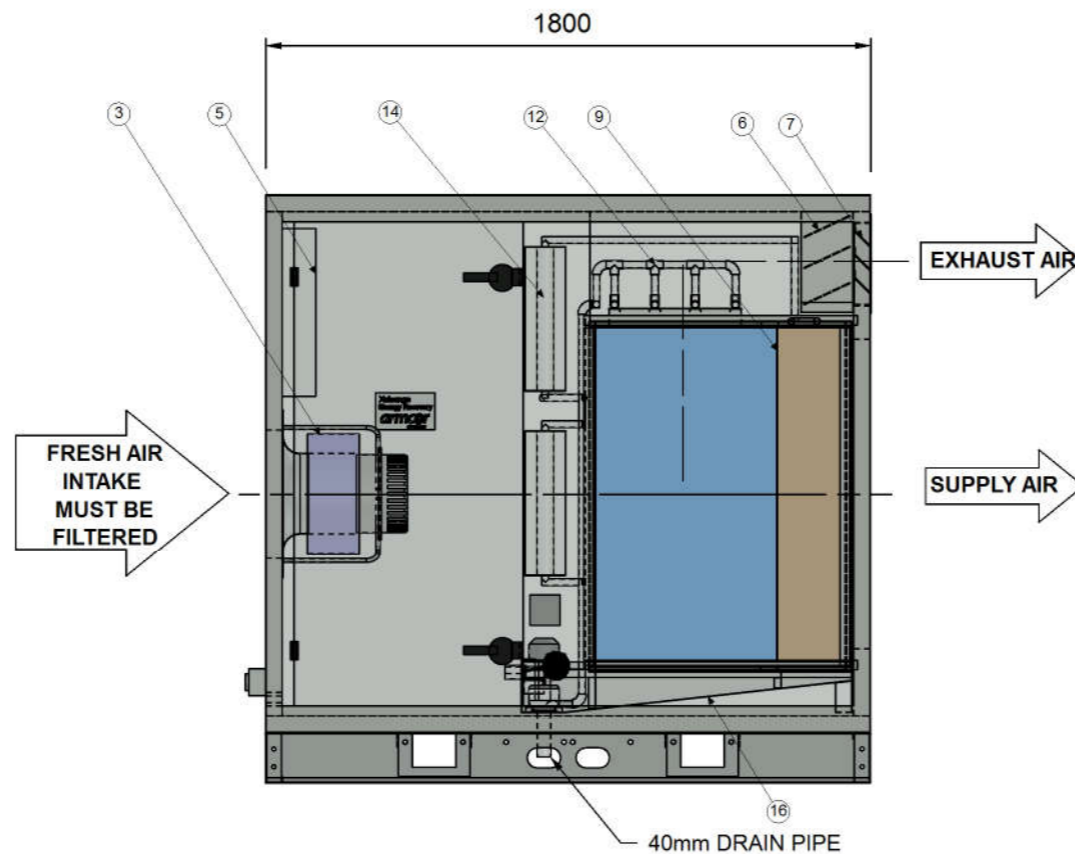


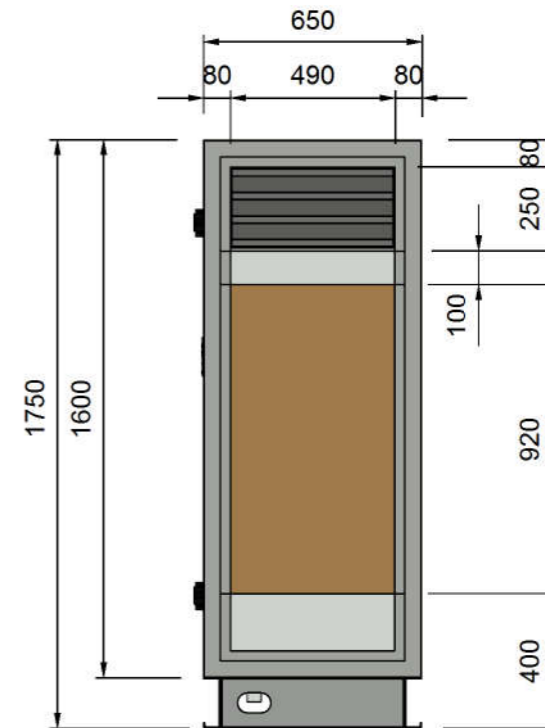
PLAN VIEW



F / A SPIGOT



ELEVATION



S / A SPIGOT

Item	Description	Qty
1	Base Frame	1
2	Cabinet	1
3	ECF (K)3D355-PLHDAL12	1
4	Electrical Isolator	1
5	Electrical Panel 400x500	1
6	Exhaust Air Damper 490x260 (Manual)	1
7	Exhaust Air Louvre Grille	1
8	Fan Access Panel 1440x680 (Pre-fabricated)	1
9	IDEC Exchanger Module 542mm Wide	1
10	Overflow Valve	1
11	Sump Dump	1
12	Water Dispenser Pipework	1
13	Water Fill Valve	1
14	Water Filter	2
15	Water Pump	1
16	Water Tank S/S	1

**ENG NOTES:**

- All Panels are 50mm Colorbond Panel Casing
- Minimum 1200mm Clearance Required from Access Panel
- Intake Air Must be Filtered

	Scale	General Tolerances acc to :	Project.	
	A3	ISO 2768-1 medium	STANDARD DRAWING	
109-111 Northcorp Blvd Broadmeadows VIC 3047 Phone 03 8301 9200 Web: www.armcor.com.au Email: sales@armcor.com.au		Drawn. P.Z	Status.	Date. 30/10/2017 2:53 PM
		Title. INDEC COOLING UNIT	Sheet 1 of 13	Rev. A
		Model. INDEC 1000P3	SN.	