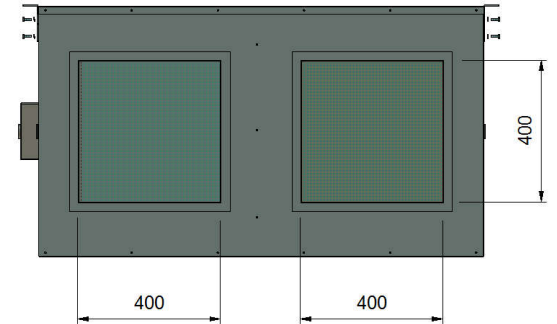
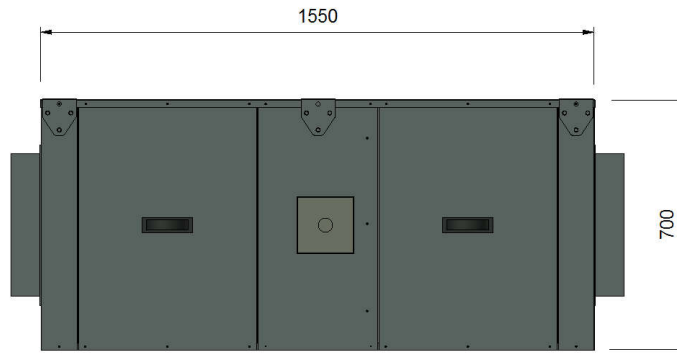
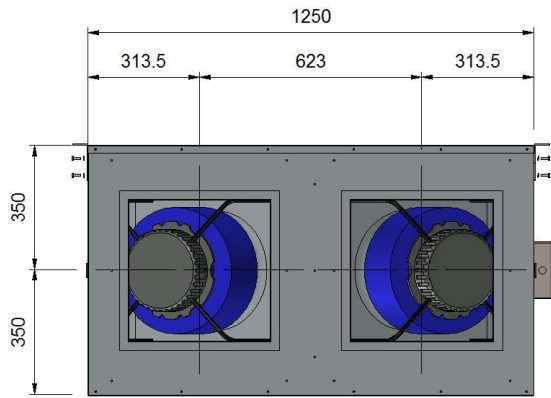
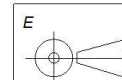


Nutserts Provided in Body for Bolts



Item	Description	Qty
1	EC Fan K3G-355-AY40-02	2
2	Electrical Inlet	1
3	Fan Access Panel	4
4	Filter Access Panel	4
5	Heat Exchange Media 800x800	1
6	Panel Prefilter 50mm	2



Scale  
A3

General Tolerances acc to:  
ISO 2768-1 medium

Project: **STANDARD DRAWING**  
Drawn: p.z Status: Date: 2/11/2016 10:30 AM

Armcor Air Solutions  
109-111 Northcorp Blvd Broadmeadows VIC 3047  
Phone 03 8301 9200 Web: www.armcor.com.au  
Email: sales@armcor.com.au

Title: **EXCHANGE ERV - CEILING MOUNT**  
Model: **Model XCM900P3** SN.  
Rev. A