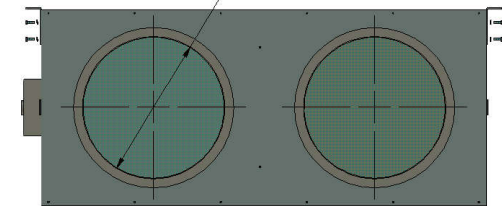
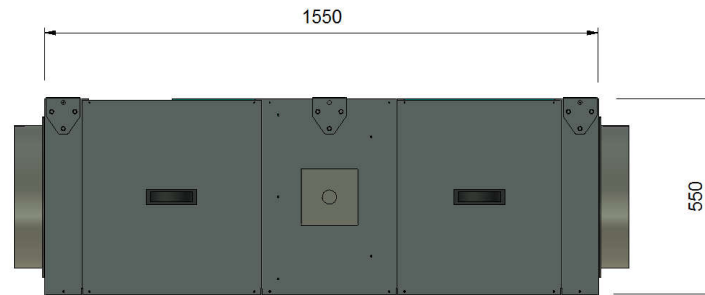
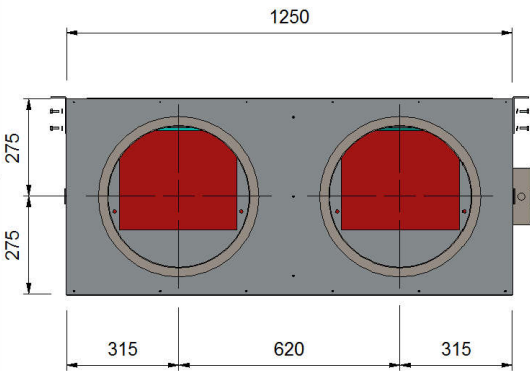
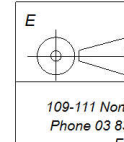


Nutserts Provided in Body for Bolts

Ø 400 Spigot x 4 OFF TYP



Item	Description	Qty
1	AFMC Blower 10x10 950W	2
2	Electrical Inlet	1
3	Fan Access Cover	2
4	Filter Access Cover	2
5	Heat Exchange Media	1
6	Panel Prefilter 700x520x50mm	2



Scale
A3

General Tolerances acc to:
ISO 2768-1 medium

Project:
109-111 Northcorp Blvd Broadmeadows VIC 3047
Phone 03 8301 9200 Web: www.armcor.com.au
Email: sales@armcor.com.au

Project: STANDARD DRAWING		
Drawn. P.Z	Status.	Date. 2/11/2016 10:23 AM
Title. EXCHANGE ERV - CEILING MOUNT		Rev. A
Model. Model XCM800C1		SN.