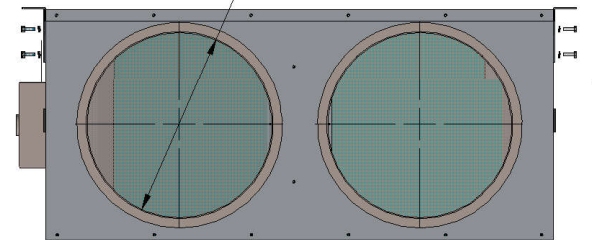
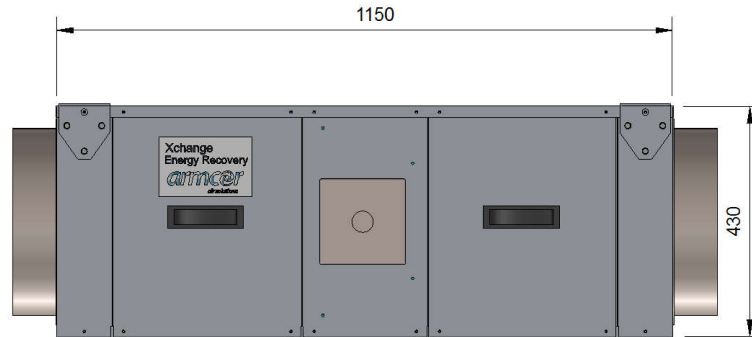
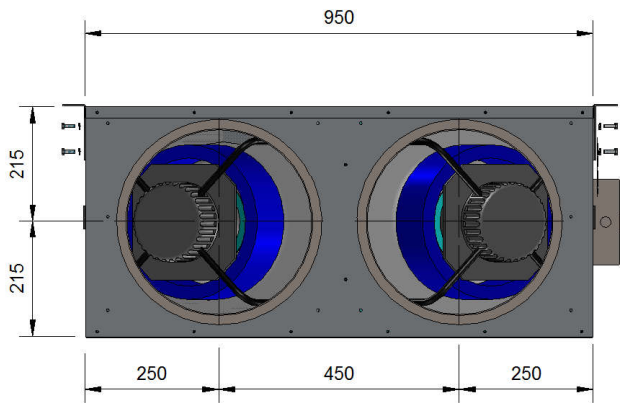
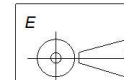


Nutserts Provided in Body for Bolts

Ø 350 SPIGOT x 4 TYP



Item	Description	Qty
1	Electrical Panel	1
2	Fan Access Panel	2
3	Fan EC Ø250 K3G 250-AT39-72	2
4	Filter Access Panel	2
5	Heat Exchange Media 550x550x400D	1
6	Panel Prefilter 500x400x50	2



Scale  
A3

General Tolerances acc to:  
ISO 2768-1 medium

Project: <b>STANDARD DRAWING</b>	
Drawn. P.Z	Status.
Date. 20/09/2016 11:08 AM	Rev. A
Title: <b>EXCHANGE ERV - CEILING MOUNT</b>	
Model: <b>Model XCM400P1</b>	SN.

Armcor Air Solutions  
109-111 Northcorp Blvd Broadmeadows VIC 3047  
Phone 03 8301 9200 Web: www.armcor.com.au  
Email: sales@armcor.com.au