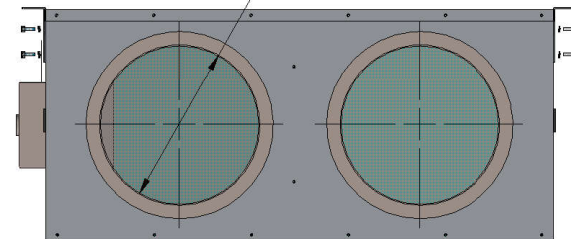
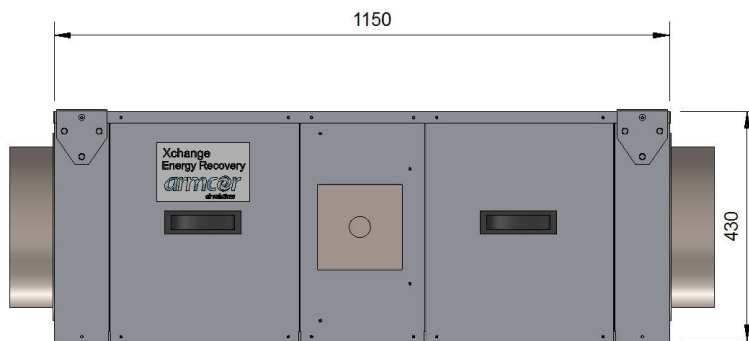
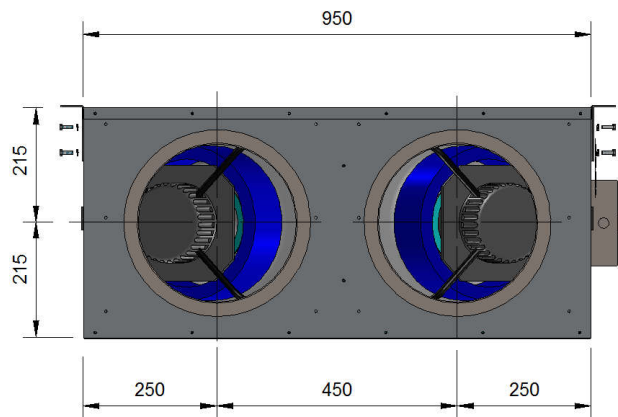
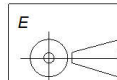


Nutserts Provided in Body for Bolts

Ø 300 Spigot x 4 TYP



Item	Description	Qty
1	Electrical Panel	1
2	Fan Access Panel	2
3	Fan EC Ø250 K3G 250-AT39-72	2
4	Filter Access Panel	2
5	Heat Exchange Media 550x550x400D	1
6	Panel Prefilter 500x400x50	2



Scale

General Tolerances acc to:
ISO 2768-1 medium

Project: **STANDARD DRAWING**

Drawn. P.Z Status. Date. 2/11/2016 9:35 AM

Armcor Air Solutions
109-111 Northcorp Blvd Broadmeadows VIC 3047
Phone 03 8301 9200 Web: www.armcor.com.au
Email: sales@armcor.com.au

Title: **EXCHANGE ERV - CEILING MOUNT** Rev.

Model: **Model XCM300P1** SN.