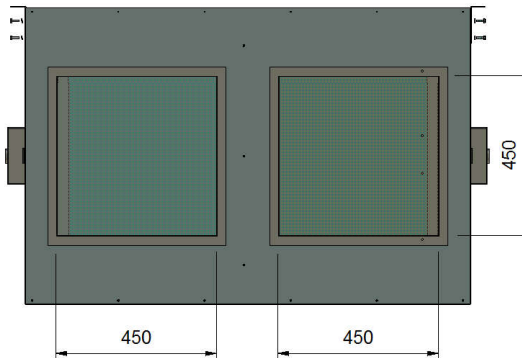
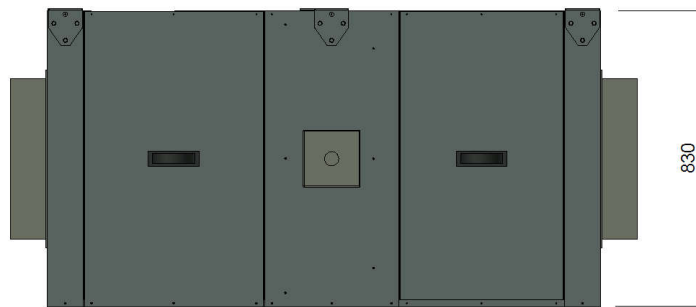
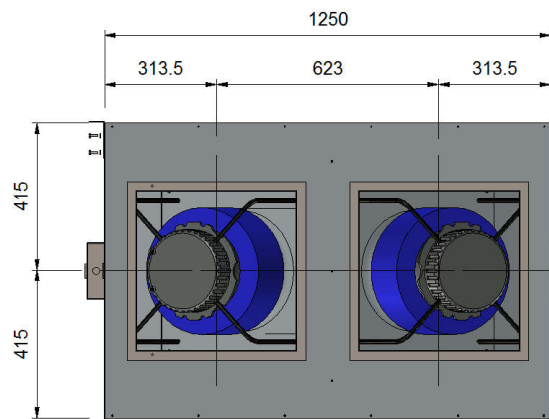
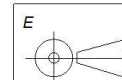


Nutserts Provided in Body for Bolts



Item	Description	Qty
1	EC FAN K3G 355AY4002	2
2	Electrical Inlet	2
3	Fan Access Panel	2
4	Filter Access Panel	2
5	Heat Exchange Media 800x800	1
6	Panel Prefilter 800x690x50mm	2



Scale  
A3

General Tolerances acc to:  
ISO 2768-1 medium

Project: **STANDARD DRAWING**  
Drawn: p.z Status: Date: 2/11/2016 10:49 AM

Armcor Air Solutions  
109-111 Northcorp Blvd Broadmeadows VIC 3047  
Phone 03 8301 9200 Web: www.armcor.com.au  
Email: sales@armcor.com.au

Title: **EXCHANGE ERV - CEILING MOUNT**  
Model: **Model XCM1200P3**  
Rev. A  
SN.