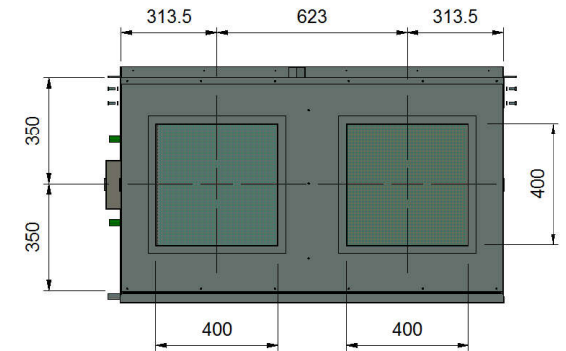
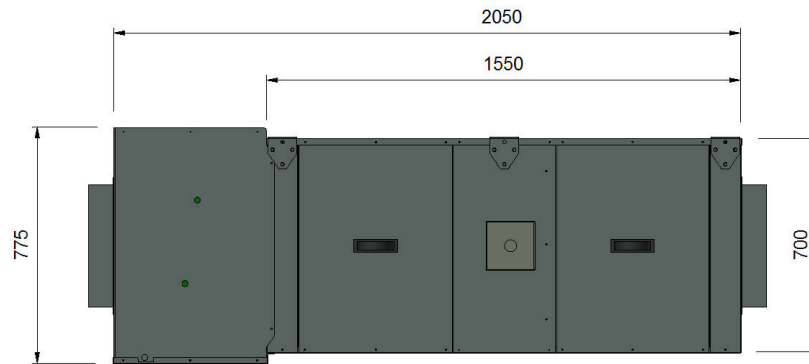
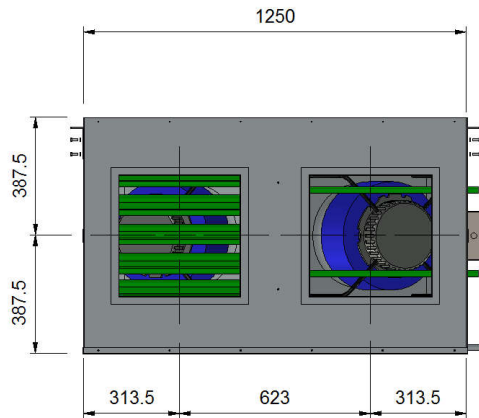
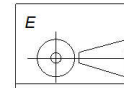


Nutserts Provided in Body for Bolts



Item	Description	Qty
1	Coil Unit 650FL x 650FH	1
2	EC Fan K3G-355-AY40-02	2
3	Electrical Inlet	1
4	Fan Access Panel	4
5	Filter Access Panel	4
6	Heat Exchange Media 800x800	1
7	Panel Prefilter 50mm	2



Scale
A3

General Tolerances acc to:
ISO 2768-1 medium

Project: **STANDARD DRAWING**
 Drawn: P.Z Status: Date: 2/11/2016 11:43 AM

Armcor Air Solutions
 109-111 Northcorp Blvd Broadmeadows VIC 3047
 Phone 03 8301 9200 Web: www.armcor.com.au
 Email: sales@armcor.com.au

Title: **EXCHANGE ERV CEILING MOUNT - COILS**
 Model: **Model XCC900P3** SN.
 Rev. A