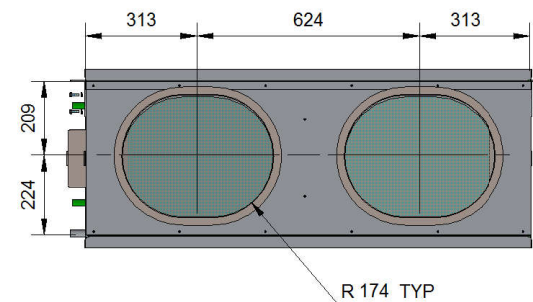
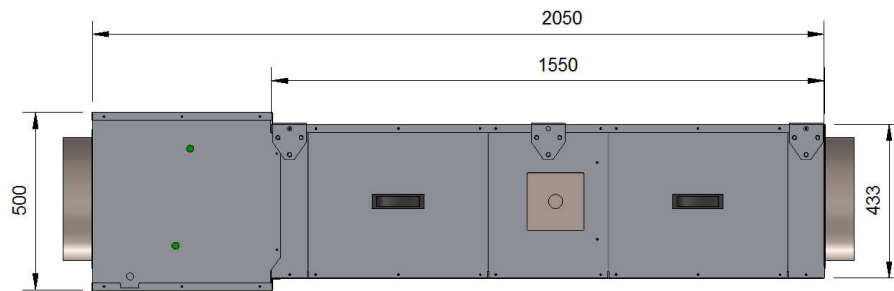
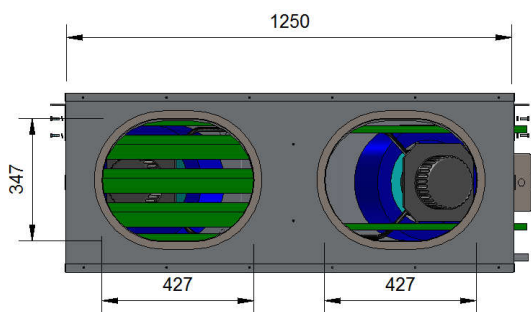


Nutserts Provided in Body for Bolts



Item	Description	Qty
1	Coil Unit 650FLx550FH	1
2	Electrical Inlet	1
3	Fan Access Panel	4
4	Fan EC Ø280	2
5	Filter Access Panel	4
6	Heat Exchange Media	1
7	Panel Prefilter 50mm	2

	Scale	General Tolerances acc to:		Project: STANDARD DRAWING	
	A3	ISO 2768-1 medium		Drawn. P.Z	Status.
Armcor Air Solutions 109-111 Northcorp Blvd Broadmeadows VIC 3047 Phone 03 8301 9200 Web: www.armcor.com.au Email: sales@armcor.com.au				Date. 2/11/2016 11:25 AM	
Title: EXCHANGE ERV CEILING MOUNT - COILS				Rev. A	
Model: Model XCC600P1				SN.	