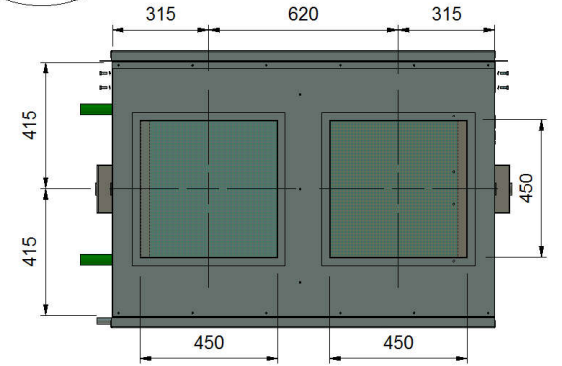
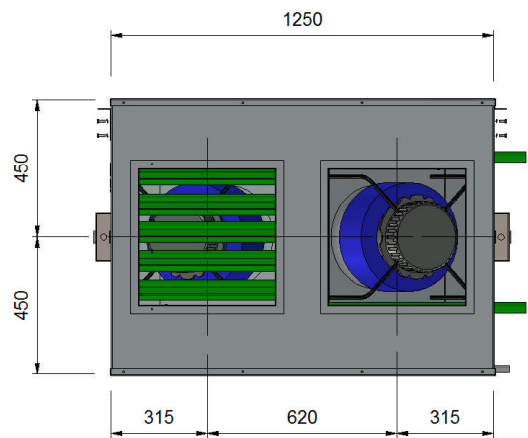
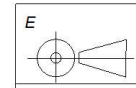


Nutserts Provided in Body for Bolts



Item	Description	Qty
1	Coil Unit 650FL x 850FH	1
2	EC FAN K3G 355AY4002	2
3	Electrical Inlet	2
4	Fan Access Panel	2
5	Filter Access Panel	2
6	Heat Exchange Media 800x800	1
7	Panel Prefilter 800x690x50mm	2



Scale  
A3

General Tolerances acc to:  
ISO 2768-1 medium

Project: **STANDARD DRAWING**  
 Drawn: p.z      Status:      Date: 2/11/2016 12:09 PM

Armcor Air Solutions  
 109-111 Northcorp Blvd Broadmeadows VIC 3047  
 Phone 03 8301 9200 Web: www.armcor.com.au  
 Email: sales@armcor.com.au

Title: **EXCHANGE ERV CEILING MOUNT - COILS**  
 Model: **Model XCC1200P3**  
 Rev. A      SN.