

1 2 3 4 5 6 7 8

A

B

C

D

E

F

A

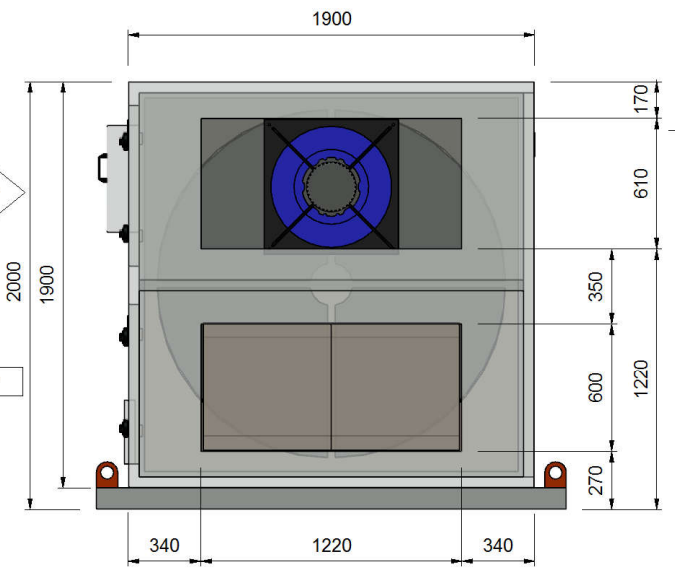
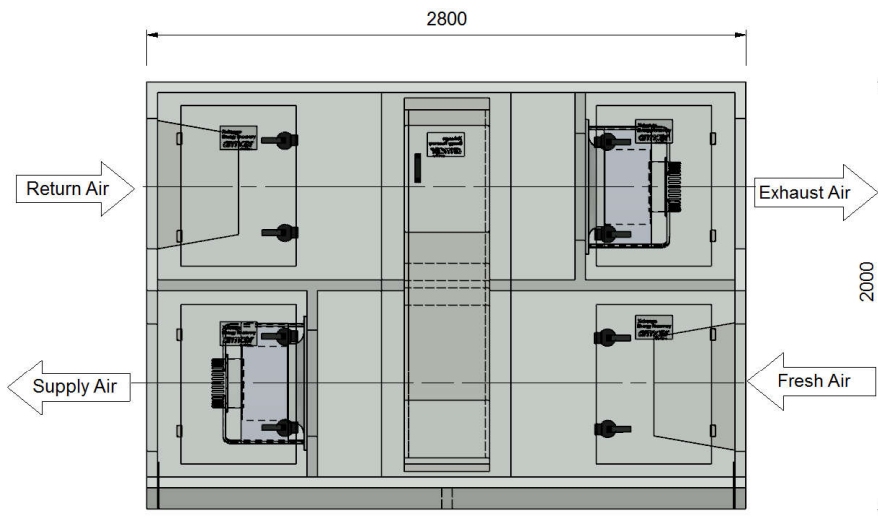
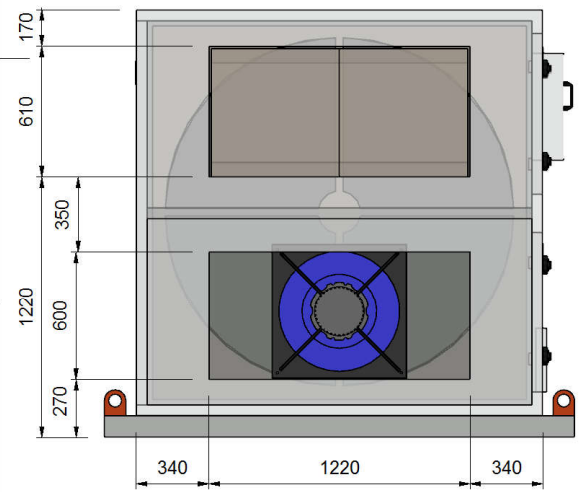
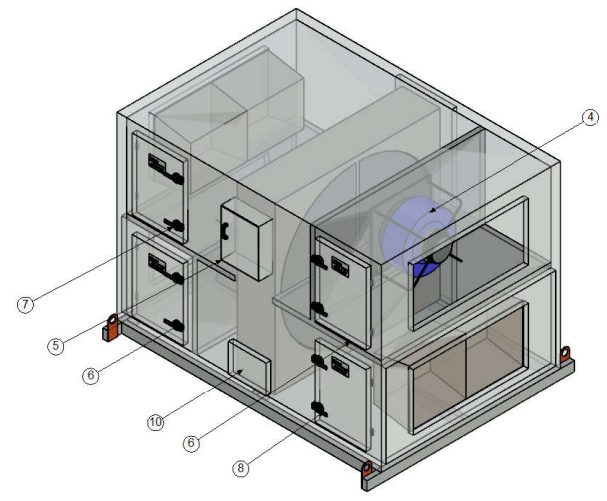
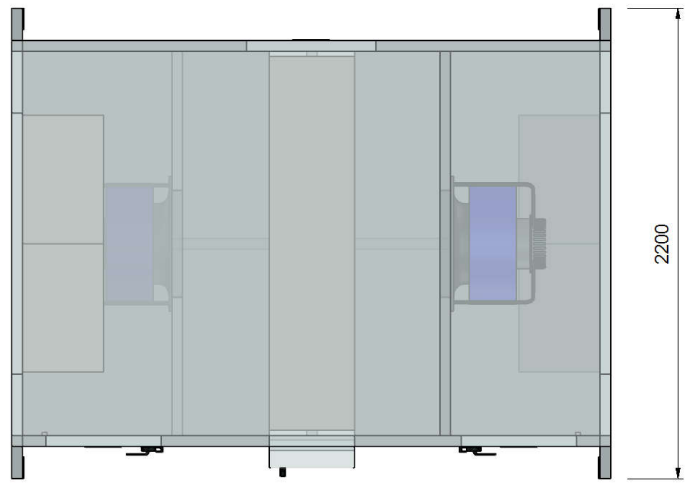
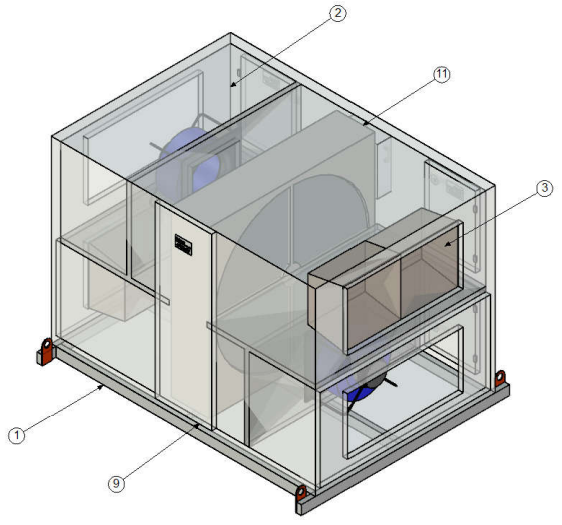
B

C

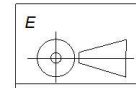
D

E

F



Item	Description	Qty
1	Base Frame	1
2	Cabinet	1
3	Deep Bed Filter 600x600	4
4	EC Fan K3G 500-AP25-31	2
5	Electrical Panel 500x400x200D	1
6	Fan Access Panel (Hinged-in)	2
7	Filter Access Panel (Hinged-out)	1
8	Filter/Coil Access Panel (Hinged-out)	1
9	Heat Wheel Access Panel (Screwed-in)	1
10	Heat Wheel Motor Access Panel (Screwed-in)	1
11	Rotary Heat Wheel 1750Hx1750Wx400D	1



Scale  
A3

General Tolerances acc to:  
ISO 2768-1 medium

Project:  
**STANDARD DRAWING**

Drawn. P.Z  
Status.  
Date. 10/11/2016 2:16 PM

Armcor Air Solutions  
109-111 Northcorp Blvd Broadmeadows VIC 3047  
Phone 03 8301 9200 Web: www.armcor.com.au  
Email: sales@armcor.com.au

Title. **ROTARY HEAT WHEEL ERV  
- EXTERNAL MOUNT**

Model. **Model REM1700P3**

Rev. A

SN.

1 2 3 4 5 6 7 8