

1 2 3 4 5 6 7 8

A

B

C

D

E

F

A

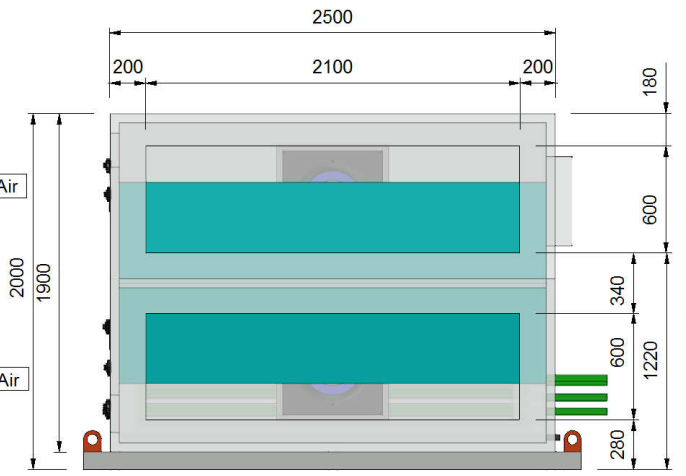
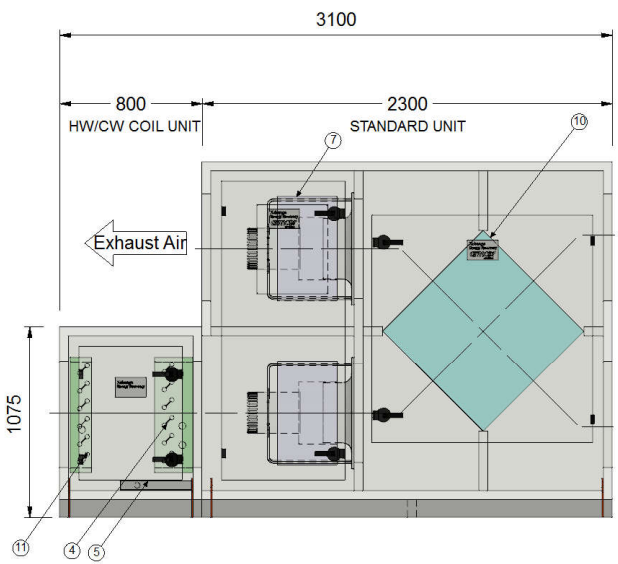
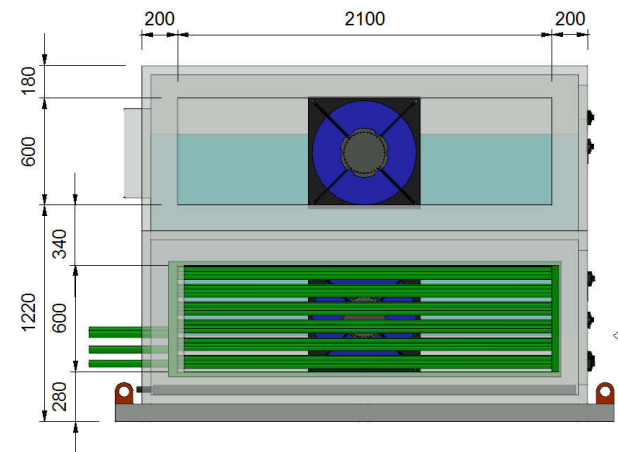
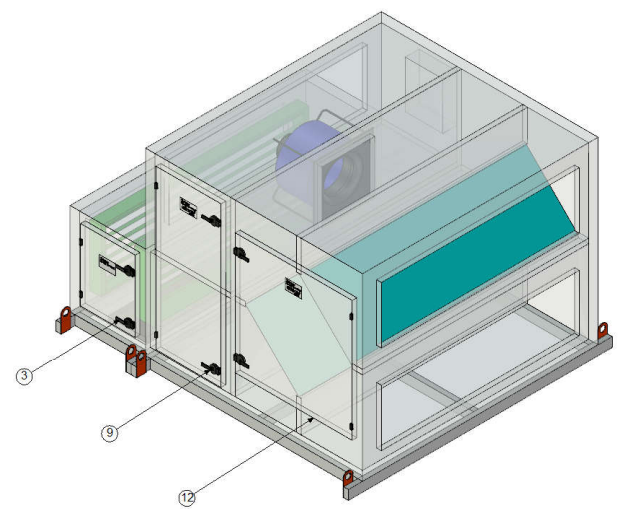
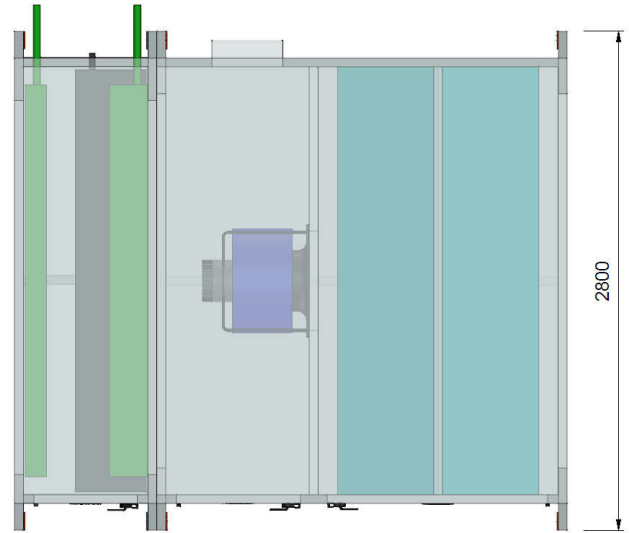
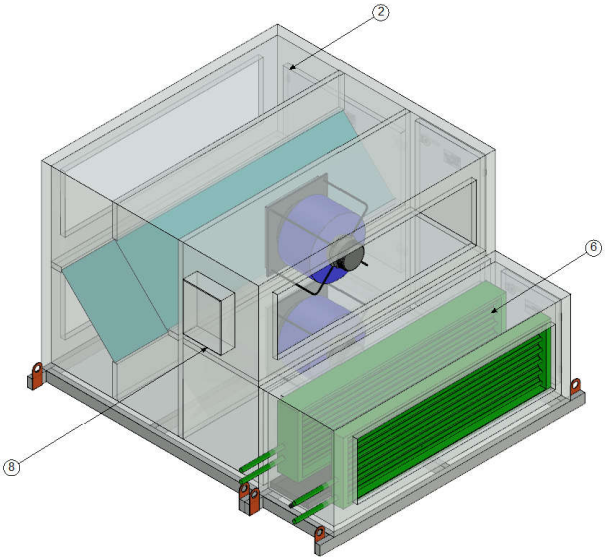
B

C

D

E

F



Item	Description	Qty
1	Base Frame	1
2	Cabinet	1
3	Coil Access Panel (Hinged-out)	1
4	CW Coil 2100FL x 600FH (Optional)	1
5	CW Coil Drip Tray S/Steel	1
6	CW/HW Coil Unit	1
7	EC Fan K3G 500-PB33-31	2
8	Electrical Panel 400x500	1
9	Fan Access Panel (Hinged-out)	1
10	Heat Exchange Media 800x800x400D	6
11	HW Coil 2100FL x 600FH (Optional)	1
12	Media Access Panel (Hinged-out)	1

	Scale A3	General Tolerances acc to : ISO 2768-1 medium	<b>STANDARD DRAWING</b>		
	Armcor Air Solutions 109-111 Northcorp Blvd Broadmeadows VIC 3047 Phone 03 8301 9200 Web: www.armcor.com.au Email: sales@armcor.com.au		Drawn. P.Z	Status.	Date 24/10/2016 3:08 PM
Title: <b>EXCHANGE ERV-COILS</b>			Model: <b>XEC3000P3</b>		Rev. A
					SN.

1 2 3 4 5 6 7 8