

1 2 3 4 5 6 7 8

A

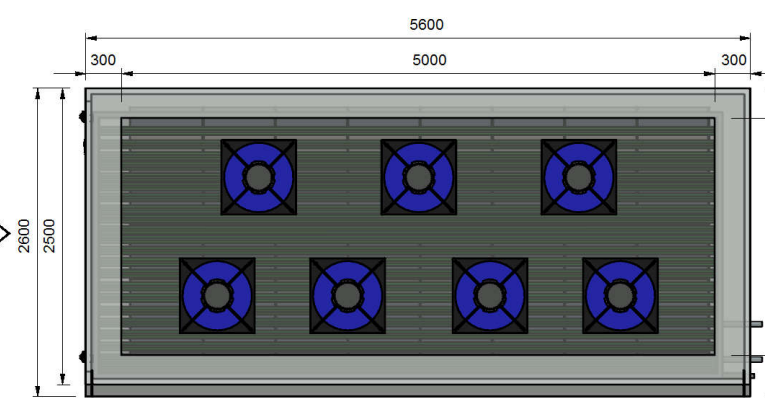
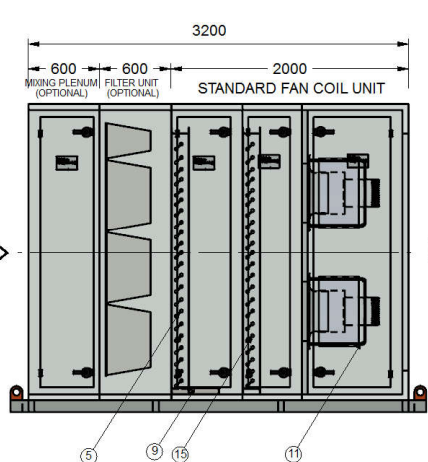
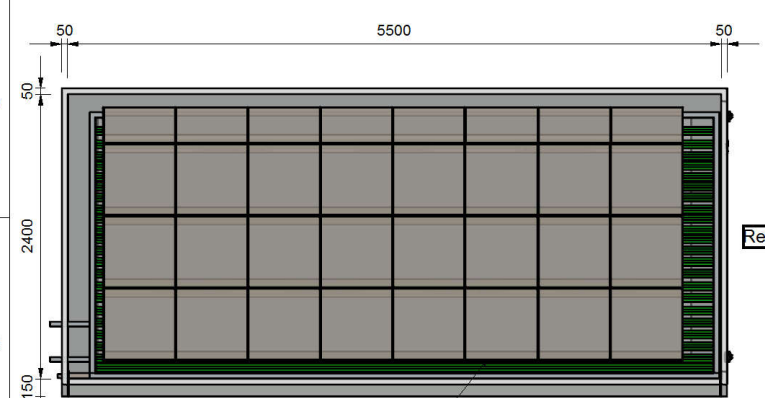
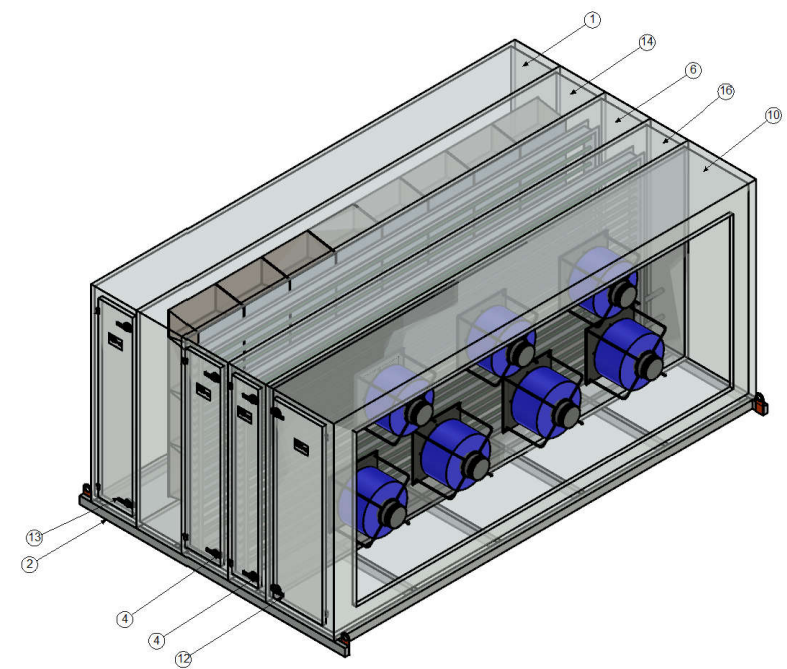
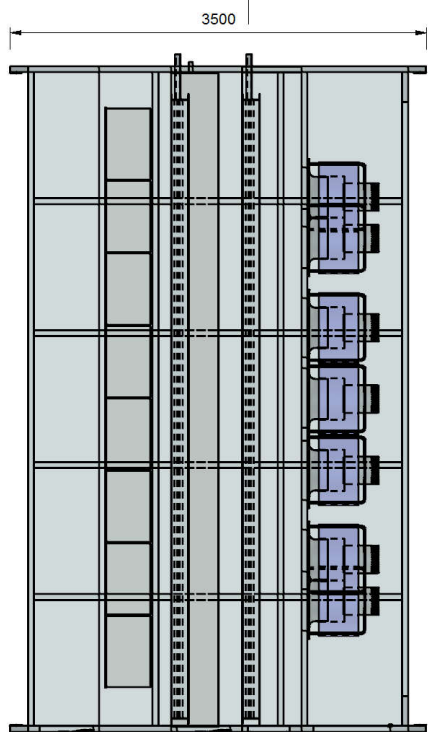
B

C

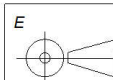
D

E

F



Item	Description	Qty
1	Air Mixing Compartment	1
2	Base Frame	1
3	Clearance	1
4	Coil Access Panel (Hinged-out)	2
5	CW Coil 5200FL x 2150FH	1
6	CW Coil Compartment	1
7	Deep Bed Filter 600x300	8
8	Deep Bed Filter 600x600	24
9	Drip Tray S/Steel	1
10	EC Fan Compartment	1
11	EC FAN K3G 500-PB3331	7
12	Fan Access Panel (Hinged-in)	1
13	Filter Access Panel (Hinged-out)	1
14	Filter Compartment	1
15	HW Coil 5200FL x 2150FH	1
16	HW Coil Compartment	1



Scale	General Tolerances acc to:		Project:	
A3	ISO 2768-1 medium		STANDARD DRAWING	
Armcor Air Solutions 109-111 Northcorp Blvd Broadmeadows VIC 3047 Phone 03 8301 9200 Web: www.armcor.com.au Email: sales@armcor.com.au			Drawn. P.Z	Status.
			Date. 9/11/2016 8:50 AM	
			Title. AIR HANDLING UNIT	Rev. A
			Model. Model AHU25000P3	SN.

1 2 3 4 5 6 7 8